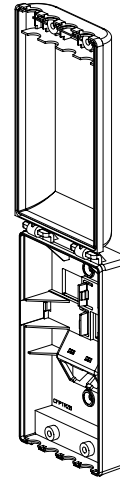
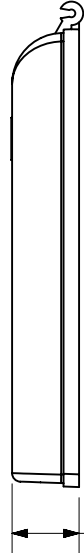
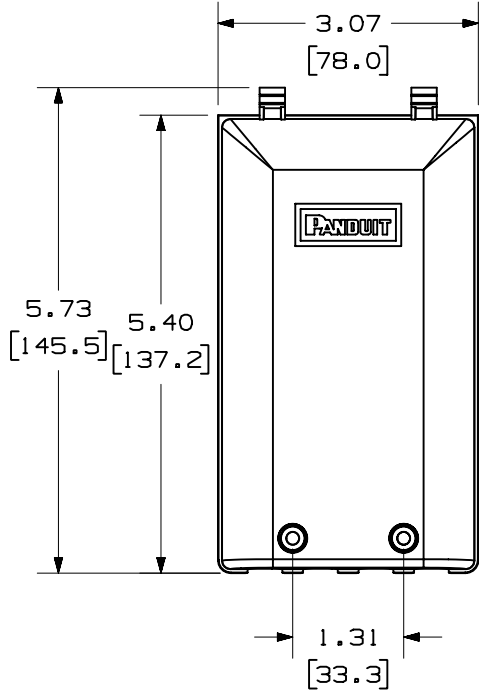


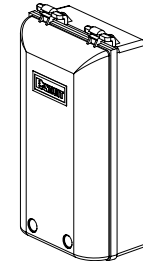
THIS COPY IS PROVIDED ON A RESTRICTED BASIS AND IS NOT TO BE USED IN ANY WAY DETRIMENTAL TO THE INTERESTS OF PANDUIT CORP.

PANDUIT P/N	WEIGHT
CFPTR2B**	2.59 LB/10 PCS (1174.1 g/10 PCS)



NOTES:

- SEE CURRENT CATALOG FOR ADDITIONAL PART NUMBER SUFFIXES TO INDICATE COLOR AND OR PACKAGE QUANTITY.
- SEE CATALOG FOR A COMPLETE LIST OF PARTS APPLICABLE FOR USE WITH THIS PART.
- DIMENSIONS IN PARENTHESES ARE IN METRIC.
- PARTS INCLUDED:
 - 2- MOUNTING SCREW #6-32 X 1" (SECURES FACEPLATE TO WALL)
 - 2- TAMPER RESISTANT SCREW HEX BUTTON HEAD #6-32 X 1.25" (SECURES COVER TO BASE)
 - 1- BASE
 - 1- COVER
 - 2- COVER SCREW #6-32 X 1.25" COMBINATION PAN HEAD (SECURES COVER TO BASE)



MODEL FILENAME	MO1445AA_CFPTR2B_ASMBLY_02.PRT	SIZE	A
DRAWING FILENAME	MO1445AA_DC_02A.PRT		

MINI-COM™ TAMPER RESISTANT FACEPLATE WITH 2 BREAKOUT PORTS CUSTOMER DRAWING



I.I. NUMBER	N/A
PRODUCT SPEC	N/A
WORK INSTRUCTION	N/A
SCALE	FULL
PART NO.	CFPTR2B**
DRAWING NO.	01445-02 SHEET 1 OF 2

ALL DIMENSIONS ARE GIVEN IN INCHES, UNLESS OTHERWISE SPECIFIED.

DIMENSIONAL TOLERANCES ARE:
 (.X) ±.03 (.XXX) ±.005
 (.XX) ±.01 ANGLES ± 1°

THIRD ANGLE PROJECTION

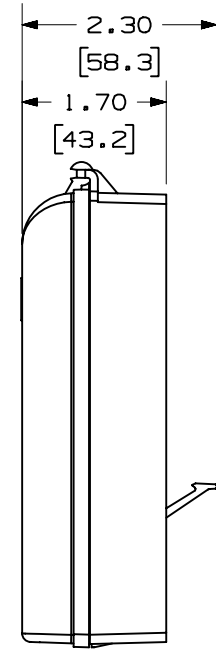
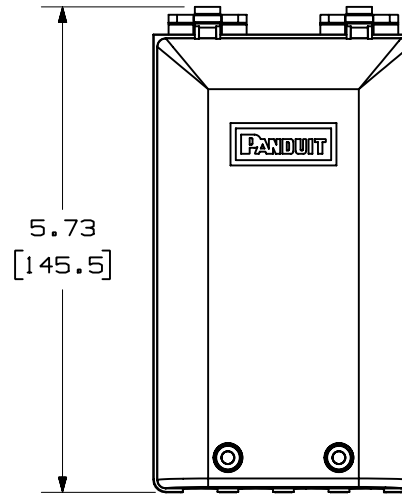
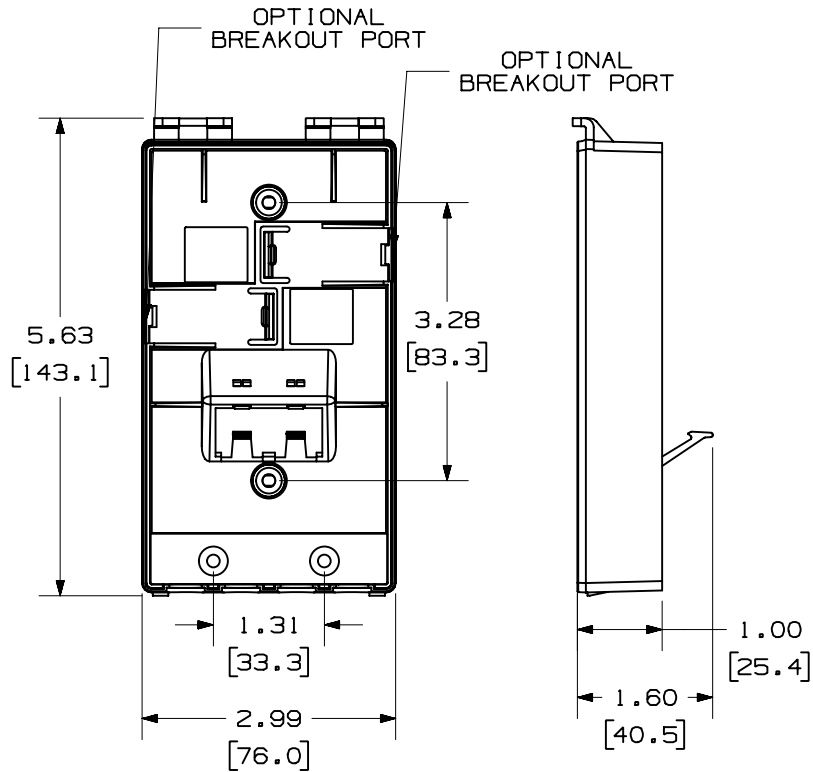
DRAWN BY: JsP
 DATE: 12-15-04
 CHECK'D: [blank]

REVIEW DRAWING NUMBERS

MATERIAL: PC

REV	DATE	BY	CHK	DESCRIPTION	ECN	R	CUST	SUP	OTH
R	12-15-04	JsP		RELEASED TO PRODUCTION	01445-02				

THIS COPY IS PROVIDED ON A RESTRICTED BASIS AND IS NOT TO BE USED IN ANY WAY DETRIMENTAL TO THE INTERESTS OF PANDUIT CORP.



MODEL FILENAME	M01445AA_CFTR2B_ASMBLY_02.PRT	SIZE	A
DRAWING FILENAME	M01445AA_DC_02A.PRT		

MINI-COM™ TAMPER RESISTANT FACEPLATE WITH 2 BREAKOUT PORTS CUSTOMER DRAWING

<p>PANDUIT™ CORP. TINLEY PARK, ILL 60477</p>	I.I. NUMBER	N/A	
	PRODUCT SPEC	N/A	
	WORK INSTRUCTION	N/A	
	SCALE	NONE	
<p>THIRD ANGLE PROJECTION</p>	<p>ALL DIMENSIONS ARE GIVEN IN INCHES, UNLESS OTHERWISE SPECIFIED.</p> <p>DIMENSIONAL TOLERANCES ARE: (.X) ±.03 (.XXX) ±.005 (.XX) ±.01 ANGLES ± 1°</p>	PART NO.	CFPTR2B**
<p>DRAWN BY JsP</p>	<p>REVIEW DRAWING NUMBERS</p>	<p>MATERIAL: PC</p>	<p>DRAWING NO. 01445-02 SHEET 2 OF 2</p>

REV	DATE	BY	CHK	DESCRIPTION	ECN	R	CUST	SUP	OTH
R	12-15-04	JsP		SEE SHEET 1 OF 2.	01445-02				